

Screw-In Thermometers/Thermocouples **MECONTROL Temp**

The temperature probes are preferred for measuring temperatures in gases with high abrasive dust content. The reliable protection tube is an important criterion in such installations. Typical installations are temperature measurements in coal dust pipes.

Main Characteristics:

Temperature range from - 50 to +200 °C (-58 to 392 F)
 Different measuring inserts available
 Single or twin resistance thermometers/thermocouples
 4...20 mA transmitter option

Technical Data:

Terminal head

Aluminium die-casting, Form B DIN 43729
 Ambient temperature -40 to +100°C (-40 to 212 F)
 IP54, Cable feed through M 20x1,5

Extension tube

Material: stainless steel 1.4571
 Length: 130 mm

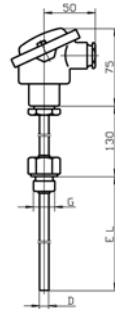
Process connection

Material: stainless steel 1.4571
 Thread: various Types (G)
 thread 1/2" pipe
 thread 3/4" pipe
 thread 1" pipe
 thread M 18 x 1,5
 other (upon request) _____

Protection tube

Material: metal carbide
 Outer diameter: 6,3 mm / 1/4" (D)
 Length: various length available (EL)
 160 mm 6,3"
 200 mm / 7,9"
 250 mm / 9,8"
 300 mm / 11,8"
 other (upon request) _____

Response time $t_{0,9}$ approx. 10 seconds



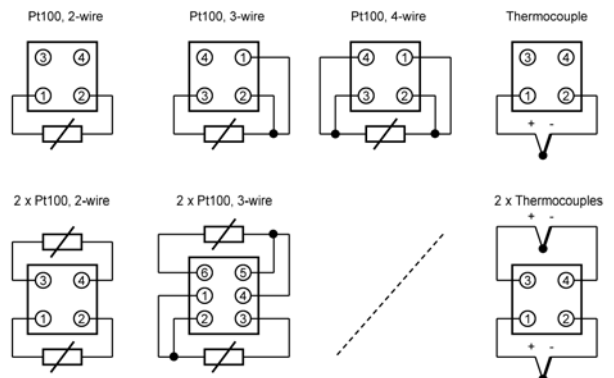
Measuring insert

Various Pt100 (EN 60751) temperature sensors available:
 Pt100, class B, 2-wire circuit
 Pt100, class B, 3-wire circuit
 Pt100, class B, 4-wire circuit
 2 x Pt100, class B, 2-wire circuit
 2 x Pt100, class B, 3-wire circuit
(Pt500, Pt1000 and analog transmitters are available)
 other (upon request) _____

Various thermocouples available:

1 x Fe-CuNi (Fe-Con) "J", EN 60584, class 2
 1 x Fe-CuNi (Fe-Con) "L", DIN 43710, class 2
 1 x NiCr-Ni "K", EN 60584, class 2
 1 x NiCr-CuNi "E", EN 60584, class 2
 2 x Fe-CuNi (Fe-Con) "J", EN 60584, class 2
 2 x Fe-CuNi (Fe-Con) "L", DIN 43710, class 2
 2 x NiCr-Ni "K", EN 60584, class 2
 2 x NiCr-CuNi "E", EN 60584, class 2
(analog transmitters are available)
 other (upon request) _____

Connection Diagram



Fax to: PROMECON GmbH
Fax Nr: +49 3 92 03-8 17 39

Von: Name _____
 Plant _____
 Phone _____

PROMECON GmbH
 Steinfeldstraße 3, 39179 Barleben
 Tel: 03 92 03-8 17 30