

# Understanding Automobile Internal Parts

## Body and Exterior

### *Main Parts*

1. Air Dam
2. Radiator Air Inlet
3. Front Bumper
4. Logo
5. Head Light
6. Hood
7. Steering
8. Dash Board
9. Air Inlet
10. Fuel Inlet
11. Tail Light
12. Door
13. Trunk Lid
14. Sheet
15. Tyre
16. Brake Air Passage

## Engine

### *Main Parts*

1. Radiator Fan
2. Oil Pan
3. Valve Cover
4. Oil Filter Cap
5. Carburetor Mount
6. Left Cylinder Head
7. Right Cylinder Head

## A/c Heat System

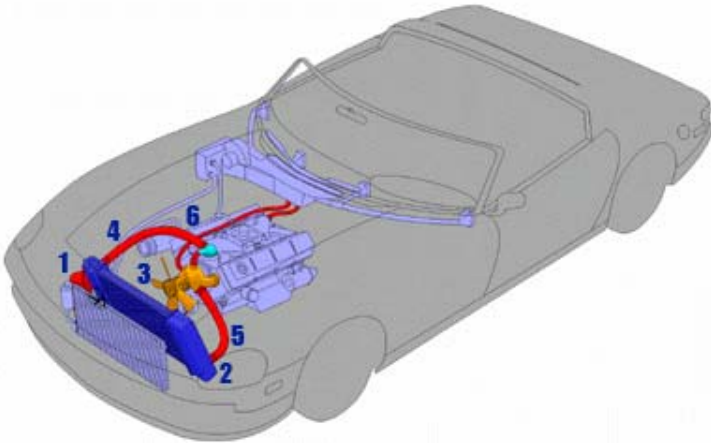
### *Main Parts*

1. Condenser
2. Receiver-Dryer
3. Compressor Clutch
4. Heater Core
5. Evaporator
6. Vent
7. Defroster Vent

## Cooling System

### Main Parts

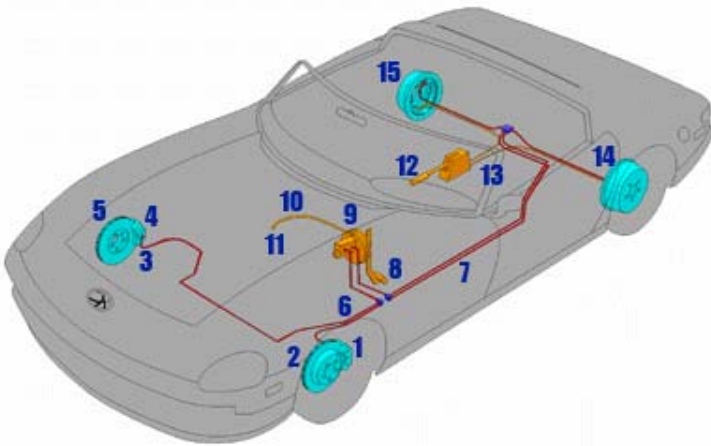
1. Expansion Tank
2. Radiator
3. Cooling Fan
4. Upper Radiator Hose
5. Lower Radiator Hose
6. Thermostat Housing



## Brake System

### Main Parts

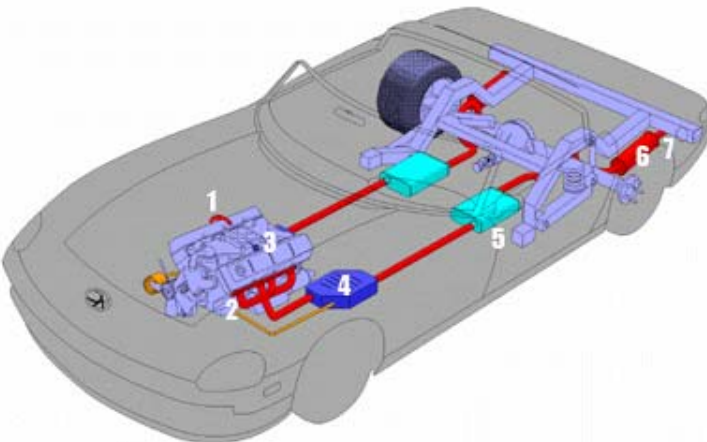
1. Left Caliper
2. Left Rotor
3. Brake Hose
4. Right caliper
5. Right Rotor
6. Front Brake Lines
7. Rear Brake Lines
8. Brake Pedal
9. Master cylinder
10. Vacuum Hose
11. Intake Manifold Connection
12. Parking Brake Lever
13. Parking Brake Cables
14. Left Brake Drum
15. Right Brake Drum



## Exhaust System

### Main Parts

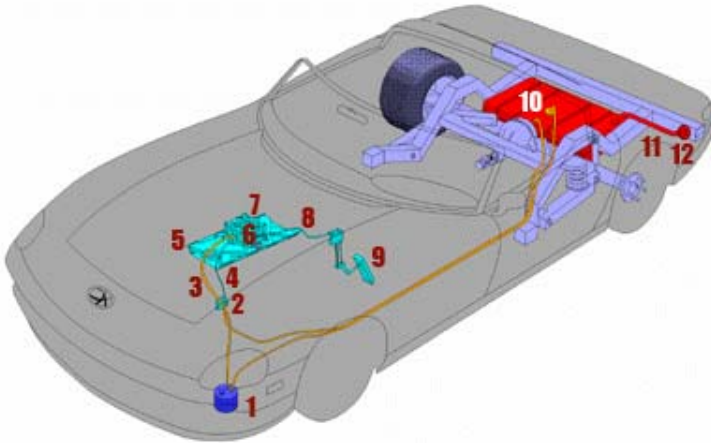
1. PCV Valve
2. Exhaust Port
3. EGR Valve
4. Catalytic Converter
5. Muffler
6. Resonator
7. Tail Pipe



## Fuel System

### Main Parts

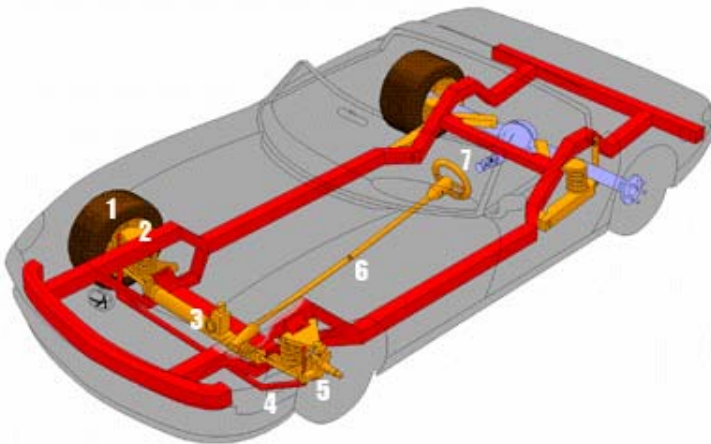
1. Fuel Vapor Canister
2. Fuel Pump
3. Vapor Line
4. Fuel Line
5. Intake Port
6. Carburetor
7. Throttle Valve
8. Throttle Cable
9. Gas Pedal
10. Fuel Tank
11. Fuel Filter Tube
12. Gas Tank



## Steering System

### Main Parts

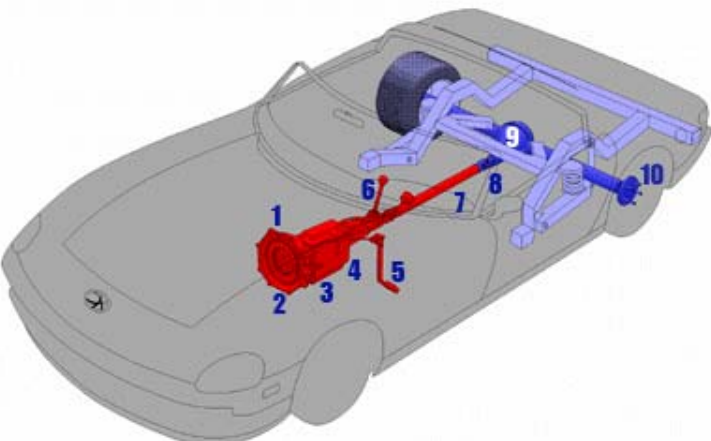
1. Tyre
2. Wheel Rim
3. Power Steering Unit
4. Sway Bar
5. Steering U-Joint
6. Steering Column
7. Steering wheel



## Drive Train

### Main Parts

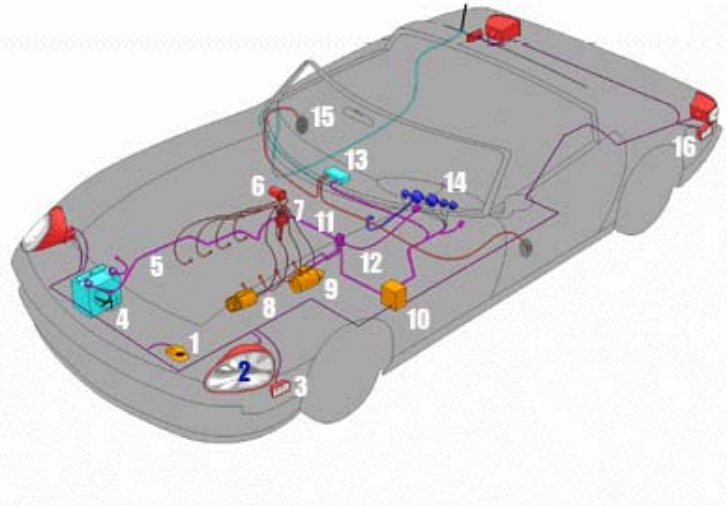
1. Clutch Bell Housing
2. Clutch Plate
3. Throwout Lever Arm
4. Transmission
5. Clutch Pedal
6. Gear Shift Lever
7. Drive Shaft
8. Rear U-Joint
9. Differential Housing
10. Drive Axle



## Electrical System

### Main Parts

1. Horn
2. Head Light
3. Corner Marker
4. Battery
5. Battery Cable
6. Ignition Coil
7. Distributor
8. Alternator
9. Starter motor
10. Fuse Box
11. Voltage regulator
12. Spark Plug Wire
13. Radio
14. Ignition Switch
15. Speaker
16. Tail Light



Reference: <http://www.innerauto.com/>